

Prevectorn 3[®] TS10T

REMOTE-TESTING

EARLY STEAMER EMISSION AIR TERMINAL (ESE)

Reference	P1503T	
Prevectorn 3[®] Early Streamer Emission Technical Specifications		
Efficiency	ΔT	10 μs
Standard deviation ESE / Single Rod	σ	$\sigma_{PDA} < 0.75 \sigma_{PTS}$
Lightning current withstanding test (10/350 μs)	I_{imp}	100kA (normative test)
Max. current withstanding test	I_{max}	200 kA (Unicamp)
Detection of downward leader	Continuous measuring of electric field gradient ($\Delta E/\Delta t$)	
Upward streamer development conditions	Patented OPTIMAX [®] technology optimizing the streamer development conditions	
Upward streamer emission	Sparking by High Voltage Impulses	
Internal circuits	2 independent and synchronised modules	
Central rod	Full electrical continuity 200mm ² section – Nickel plated Copper	
Metal housing	Stainless Steel 316, Electromagnetic shielding	
Maintenance	Replaceable modules (factory)	

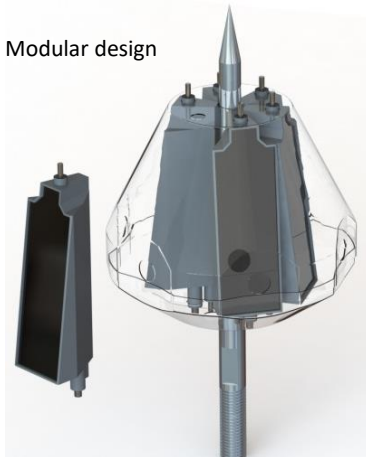
Prevectorn 3[®] Remote Testing Module Technical Specifications		
On-site working conditions testing	Remote testing Module réf.P1591 (not included) : -ESE Lightning conductor condition -Solar Remote Testing Unit battery level	
Remote Testing Module / ESE Lightning Conductor Communication Protocol	Radio-frequency communication HF 2.4GHz Range = 100m/330 ft	
Power Supply	High Performance LiFePo ₄ Battery 3 200mA.h – 3.2V	
Battery Charge	Monocrystalline Glass-coated Solar panel	
Remote Testing Module central rod	Full electrical continuity 200mm ² section – Nickel plated Copper	
Remote Testing Module / Prevectorn connection	Fast Connect Technology Plug-in system	
Maintenance	Battery Replacement Kit réf. P1599	

PREVECTRON 3[®] TS10



REMOTE TESTING MODULE
PREVECTRON 3[®]

Modular design



Accessory (not included)
Testing Remote Control P3 T réf P1591



DOC266a.VEN-Rev2

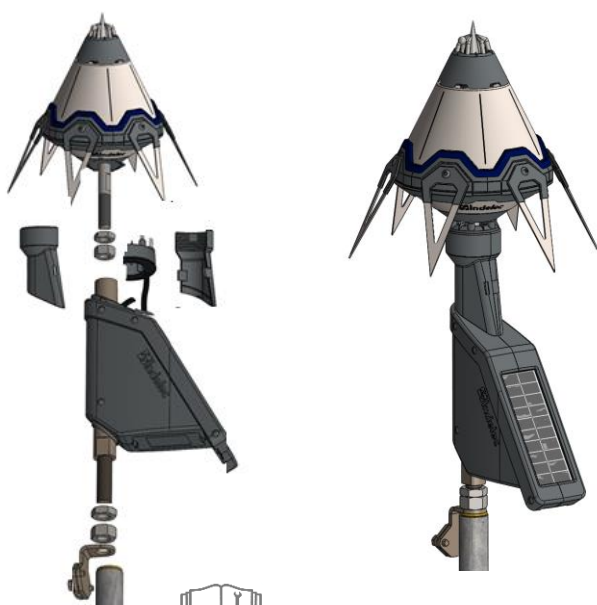
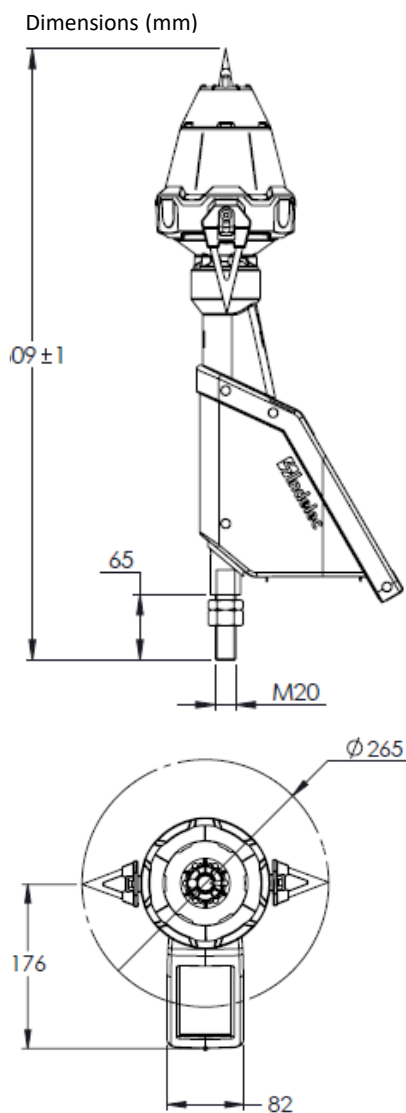


Prevectron 3[®] TS10T

REMOTE-TESTING

EARLY STEAMER EMISSION AIR TERMINAL (ESE)

Reference	P1503T
Fixing on pole	M20 Thread
Down-conductor clamp	Proprietary clamp included
Packing	
Dimensions	485 x 262 x 435 mm
Gross Weight	6.650 kg
Warranty	
Warranty (excluding Remote testing module battery)	5 years
Certificates - Standards	
NF C 17 102:2011, Annex C	Bureau Veritas certificate N°6275241/2/1/1
Qualifoudre	Ineris certificate N° N°051166662001
CE Marking	Declaration of Conformity N°IND-CE-21092015-A (Prevectron [®] 3 Lightning conductor)
Underwriter Laboratories (UL)	UL Certified E478687 (Prevectron [®] 3 Lightning conductor)
Eco Label	AFAQ N°1335.2 11/2014 Certificate
ISO 9001 : 2015 (Quality System)	Bureau Veritas certificate



Installation Guide ref. C3839



Accessory (not included)
Testing Remote Control réf P1591



DOC266a.VEN-Rev2

Made
In
Safety

©INDELEC SA – 61 Chemin des postes F59500 DOUAI - Tel +33 327 944 944
www.indelec.com

Indelec

Non contractual document - INDELEC reserves the right to modify its product design, dimensions, weight as well as the illustrations without prior notice.