

Prevectron 3® S40T

REMOTE-TESTING

EARLY STEAMER EMISSION AIR TERMINAL (ESE)

| Reference | P1523T | |
|---|---|------------------------------------|
| Prevectron 3® Early Streamer Emission Technical Specifications | | |
| Efficiency | ΔT | 40 μs |
| Standard deviation ESE / Single Rod | σ | $\sigma_{PDA} < 0.57 \sigma_{PTS}$ |
| Lightning current withstanding test (10/350 μs) | I_{imp} | 100kA (normative test) |
| Max. current withstanding test | I_{max} | 200 kA (Unicamp) |
| Detection of downward leader | Continuous measuring of electric field gradient ($\Delta E/\Delta t$) | |
| Upward streamer development conditions | Patented OPTIMAX® technology optimizing the streamer development conditions | |
| Upward streamer emission | Sparking by High Voltage Impulses | |
| Internal circuits | 3 independent and synchronised modules | |
| Central rod | Full electrical continuity 200mm ² section – Nickel plated Copper | |
| Metal housing | Stainless Steel 316, Electromagnetic shielding | |
| Maintenance | Replaceable modules (factory) | |

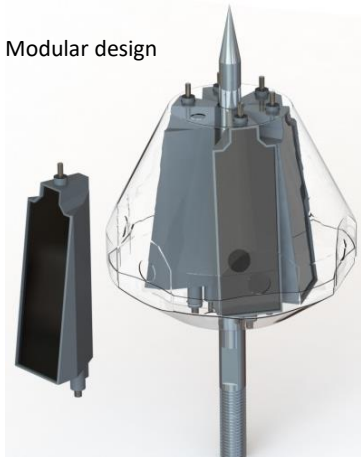
| Prevectron 3® Remote Testing Module Technical Specifications | | |
|--|--|--|
| On-site working conditions testing | Remote testing Module réf.P1591 (not included) : -ESE Lightning conductor condition -Solar Remote Testing Unit battery level | |
| Remote Testing Module / ESE Lightning Conductor Communication Protocol | Radio-frequency communication HF 2.4GHz Range = 100m/330 ft | |
| Power Supply | High Performance LiFePo ₄ Battery 3 200mA.h – 3.2V | |
| Battery Charge | Monocrystalline Glass-coated Solar panel | |
| Remote Testing Module central rod | Full electrical continuity 200mm ² section – Nickel plated Copper | |
| Remote Testing Module / Precvectron connection | Fast Connect Technology Plug-in system | |
| Maintenance | Battery Replacement Kit réf. P1599 | |

PREVECTRON 3® S40



REMOTE TESTING MODULE PREVECTRON 3®

Modular design



Accessory (not included)
Testing Remote Control P3 T réf P1591



DOC268a_VEN-Rev2



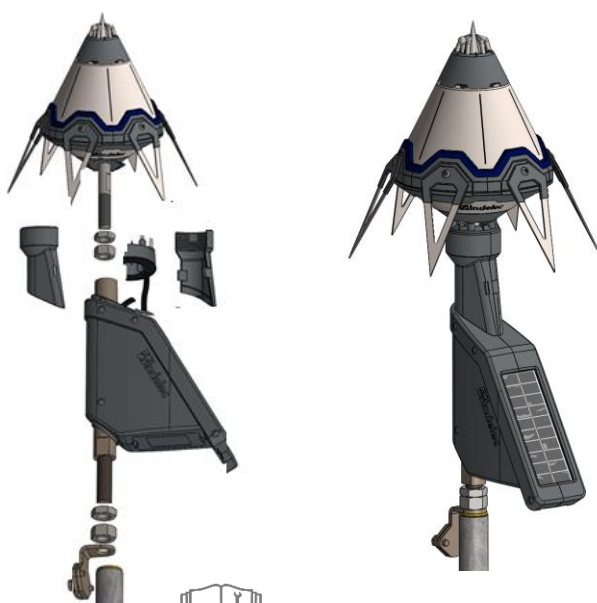
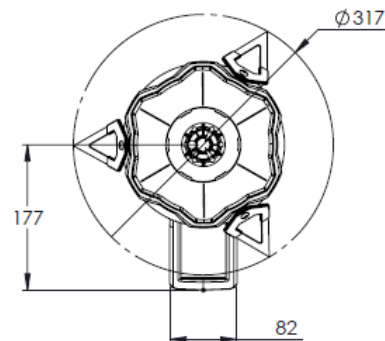
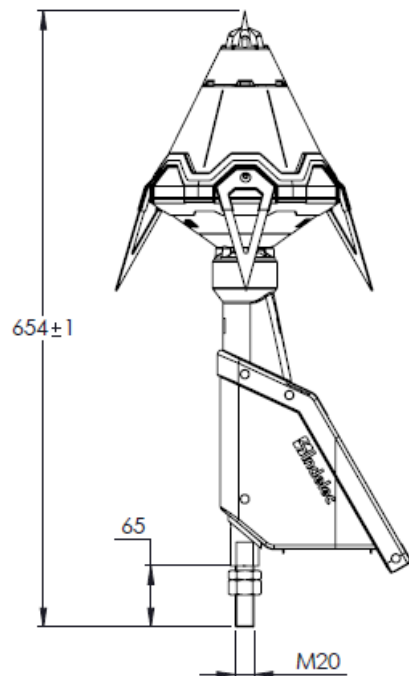
Prevectron 3[®] S40T

REMOTE-TESTING

EARLY STEAMER EMISSION AIR TERMINAL (ESE)

| Reference | P1523T |
|--|---|
| Fixing on pole | M20 Thread |
| Down-conductor clamp | Proprietary clamp included |
| Packing | |
| Dimensions | 485 x 262 x 435 mm |
| Gross Weight | 7.650 kg |
| Warranty | |
| Warranty (excluding Remote testing module battery) | 5 years |
| Certificates - Standards | |
| NF C 17 102:2011, Annex C | Bureau Veritas certificate N°6275241/2/1/1 |
| Qualifoudre | Ineris certificate N° N°051166662001 |
| CE Marking | Declaration of Conformity N°IND-CE-21092015-A (Prevectron [®] 3 Lightning conductor) |
| Underwriter Laboratories (UL) | UL Certified E478687 (Prevectron [®] 3 Lightning conductor) |
| Eco Label | AFAQ N°1335.2 11/2014 Certificate |
| ISO 9001 : 2015 (Quality System) | Bureau Veritas certificate |

Dimensions (mm)



Installation Guide ref. C3839



Accessory (not included)
Testing Remote Control réf P1591

